



Model

CE, RoHS



MODEL:NOA-SP-03W-GU5.3



MODEL:NOA-SP-04W-E27

Compare the differences between LED and conventional lamps



LED



Halogen

Power	3 Watt	=	25 Watt
	4 Watt	=	30 Watt
Lifespan	> 40,000 Hr		15,000 Hr

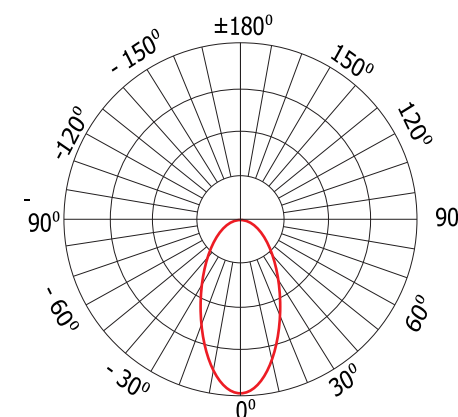
* comparison for reference only

Technical Parameter LED SPOT LIGHT 3W

Electrical Specifications:	
Model:	NOA-SP-03W-GU5.3
Lamp's Power:	3W
Operating Voltage:	100VAC ~ 240VAC
Optimal Operating Humidity:	10% to 90%
Work Temperature:	-40 °C to +60 °C
Photometric Specifications:	
Luminous Flux:	300 Lm
Lifespan (Hours) :	40,000 Hours
CRI:	Ra>=80
Color Temperature:	2800K~3200K (Warm white) 4000K~5000K (Natural white) 5500K~6500K (Cool white)
Mechanical Specifications:	
Use Environment:	indoor only
Lamp base(socket):	E27/MR16/GU5.3/GU10.5
Body:	Aluminum
Weight:	38gram
Light Angle:	45 degrees
Approval:	CE, RoHS

Illumination of the test product

Test height (M)	Illuminance (lux)		Area lighting
	Max	Average	
0.5	960	420	Ø0.414 M
1.0	240	105	Ø0.828 M
1.5	107	47	Ø1.242 M
2.0	60	26	Ø1.656 M
2.5	38	17	Ø2.071 M
-	-	-	-
-	-	-	-
-	-	-	-



Technical Parameter LED SPOT LIGHT 4W

Electrical Specifications:	
Model:	NOA-SP-04W-E27
Lamp's Power:	4W
Operating Voltage:	100VAC ~ 240VAC
Optimal Operating Humidity:	10% to 90%
Work Temperature:	-40 °C to +60 °C
Photometric Specifications:	
Luminous Flux:	400 Lm
Lifespan (Hours) :	40,000 Hours
CRI:	Ra>=80
Color Temperature:	2800K~3200K (Warm white) 4000K~5000K (Natural white) 5500K~6500K (Cool white)
Mechanical Specifications:	
Use Environment:	indoor only
Lamp base(socket):	E27/MR16/GU5.3/GU10.5
Body:	Aluminum
Weight:	45gram
Light Angle:	45 degrees
Approval:	CE, RoHS

Illumination of the test product

Test height (M)	Illuminance (lux)		Area lighting
	Max	Average	
0.5	1280	560	Ø0.414 M
1.0	320	140	Ø0.828 M
1.5	142	60	Ø1.242 M
2.0	80	35	Ø1.656 M
2.5	51	22	Ø2.071 M
-	-	-	-
-	-	-	-
-	-	-	-

