

MODEL: NOA-LB4.5W



MODEL: NOA-LB7W



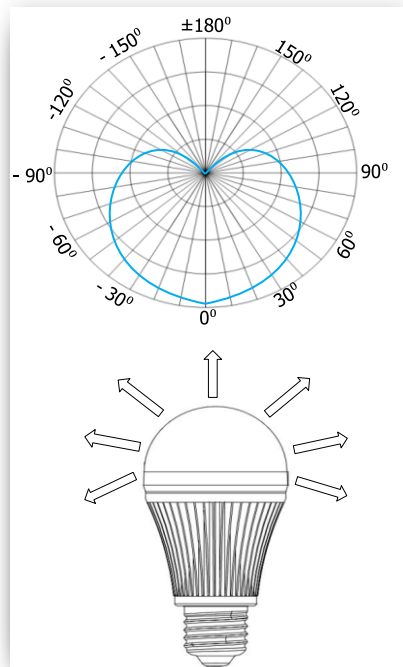
MODEL: NOA-LB9W



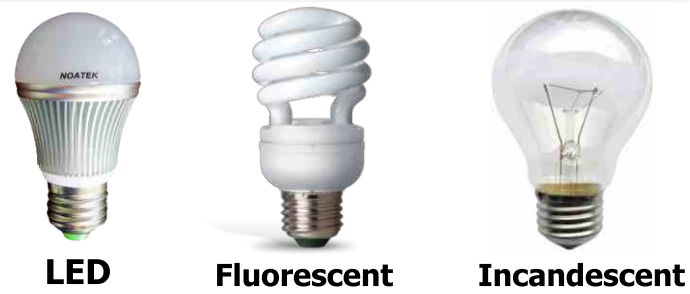
MODEL: NOA-LB11W

CE, RoHS

Light Angle: >180 degrees



Compare the differences between LEDs and conventional lamps



	LED	Fluorescent	Incandescent
Power	4.5 Watt =	11 Watt =	40 Watt
	7 Watt =	15 Watt =	60 Watt
	9 Watt =	19 Watt =	72 Watt
	11 Watt =	23 Watt =	90 Watt
Lifespan	> 40,000 Hr	10,000 Hr	1,500 Hr

Technical Parameter MODEL: NOA-LB4.5W

Electrical Specifications:	
Lamp's Power:	4.5W
Operating Voltage:	100-265V AC, 50/60Hz
Optimal Operating Humidity:	10% to 90%
Operating Temp:	-40 °C to +60 °C
Photometric Specifications:	
Luminous Flux:	300 Lm - 330 Lm
Lifespan (Hours):	40,000 Hours
CRI:	Ra >= 80
Color Temperture:	2800K~3200K (Warm white)
	4000K~5000K (Natural white)
	5500K~6500K (Cool white)
Mechanical Specifications:	
Use Environment:	indoor only
Lamp base (socket):	E27
Body:	Aluminum
Weight:	80 gram
Dimension:	51 *93 mm
PC cover:	Milky
Light Angle :	>180 degrees

Technical Parameter MODEL: NOA-LB09W

Electrical Specifications:	
Lamp's Power:	9W
Operating Voltage:	100-265V AC, 50/60Hz
Optimal Operating Humidity:	10% to 90%
Operating Temp:	-40 °C to +60 °C
Photometric Specifications:	
Luminous Flux:	700 Lm - 770 Lm
Lifespan (Hours):	40,000 Hours
CRI:	Ra >= 80
Color Temperture:	2800K~3200K (Warm white)
	4000K~5000K (Natural white)
	5500K~6500K (Cool white)
Mechanical Specifications:	
Use Environment:	indoor only
Lamp base (socket):	E27
Body:	Aluminum
Weight:	145 gram
Dimension:	61 * 124 mm
PC cover:	Milky
Light Angle :	>180 degrees

Technical Parameter MODEL: NOA-LB07W

Electrical Specifications:	
Lamp's Power:	7W
Operating Voltage:	100-265V AC, 50/60Hz
Optimal Operating Humidity:	10% to 90%
Operating Temp:	-40 °C to +60 °C
Photometric Specifications:	
Luminous Flux:	500 Lm - 550 Lm
Lifespan (Hours):	40,000 Hours
CRI:	Ra >= 80
Color Temperture:	2800K~3200K (Warm white)
	4000K~5000K (Natural white)
	5500K~6500K (Cool white)
Mechanical Specifications:	
Use Environment:	indoor only
Lamp base (socket):	E27
Body:	Aluminum
Weight:	130 gram
Dimension:	61 * 111 mm
PC cover:	Milky
Light Angle :	>180 degrees

Technical Parameter MODEL: NOA-LB11W

Electrical Specifications:	
Lamp's Power:	11W
Operating Voltage:	100-265V AC, 50/60Hz
Optimal Operating Humidity:	10% to 90%
Operating Temp:	-40 °C to +60 °C
Photometric Specifications:	
Luminous Flux:	900 Lm - 990 Lm
Lifespan (Hours):	40,000 Hours
CRI:	Ra >= 80
Color Temperture:	2800K~3200K (Warm white)
	4000K~5000K (Natural white)
	5500K~6500K (Cool white)
Mechanical Specifications:	
Use Environment:	indoor only
Lamp base (socket):	E27
Body:	Aluminum
Weight:	173 gram
Dimension:	76 * 142 mm
PC cover:	Milky
Light Angle :	>180 degrees